

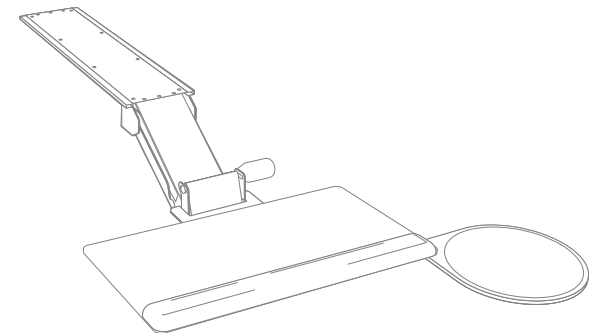
PACKAGE CONTENTS

- Keyboard mechanism (1)
- Track (1)
- Keyboard platform (1)
- Front bumper (1)
- 5/8" round head screws (9)
- 5/8" flat head screws (2)
- 1/2" flat head screws (2)
- Hex nuts (4)
- Keyboard cord clips (3)
- Mouse cord clip (1)



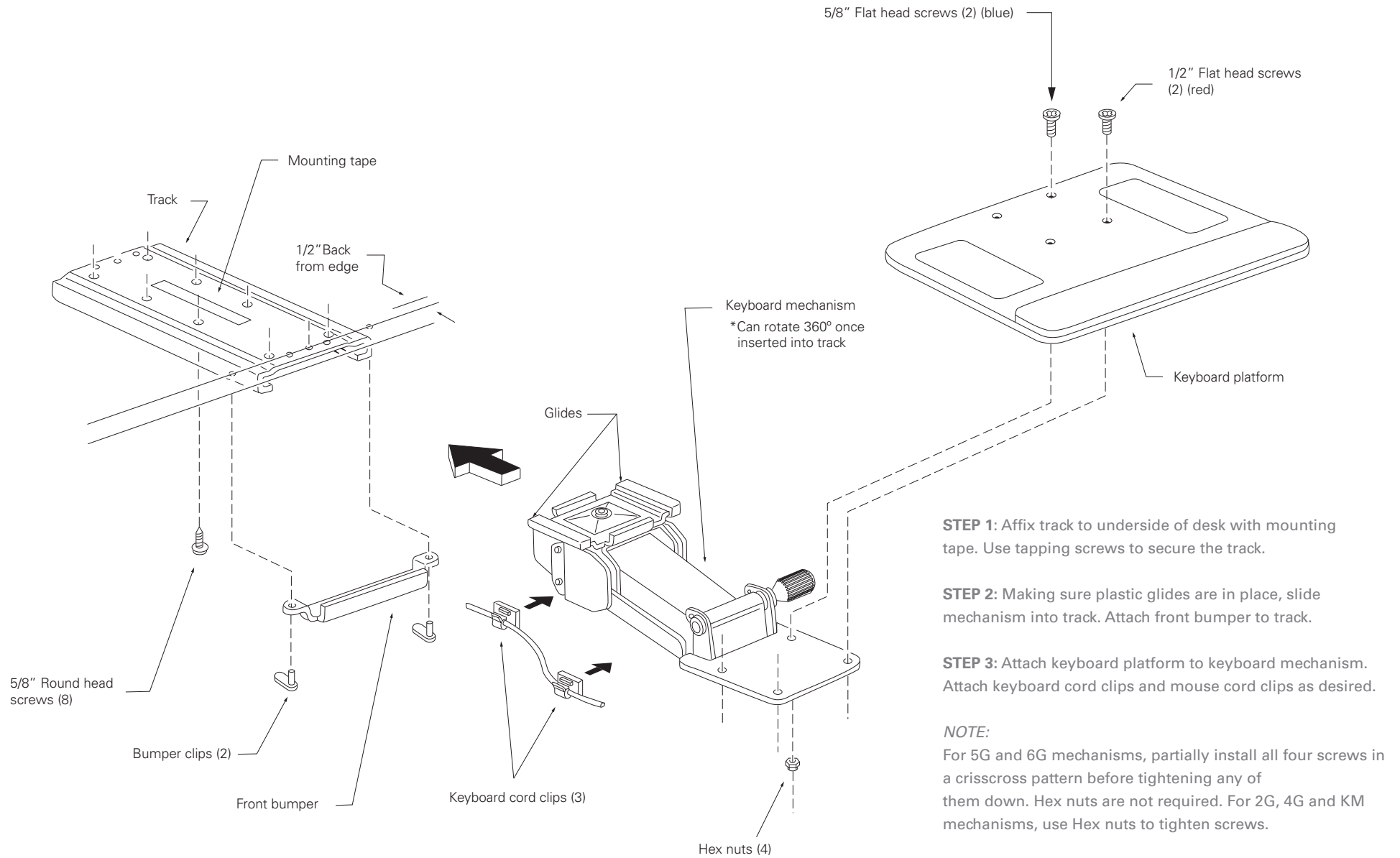
www.humanscale.com

Keyboard System Installation Instructions



*For use with all Humanscale
Keyboard Systems.*





STEP 1: Affix track to underside of desk with mounting tape. Use tapping screws to secure the track.

STEP 2: Making sure plastic glides are in place, slide mechanism into track. Attach front bumper to track.

STEP 3: Attach keyboard platform to keyboard mechanism. Attach keyboard cord clips and mouse cord clips as desired.

NOTE:

For 5G and 6G mechanisms, partially install all four screws in a crisscross pattern before tightening any of them down. Hex nuts are not required. For 2G, 4G and KM mechanisms, use Hex nuts to tighten screws.

Once keyboard platform is attached, keyboard system can be lowered and raised as needed, and will stay firm in desired position.

WARNING:

The mechanism will close up when removed from the track and can snap up.