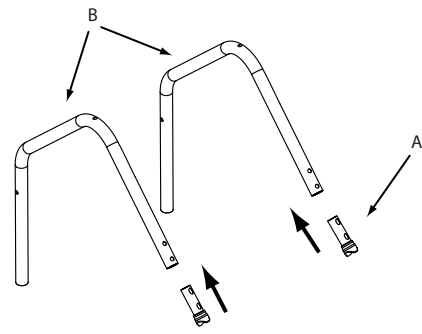


Cinto Dolly Assembly Instructions

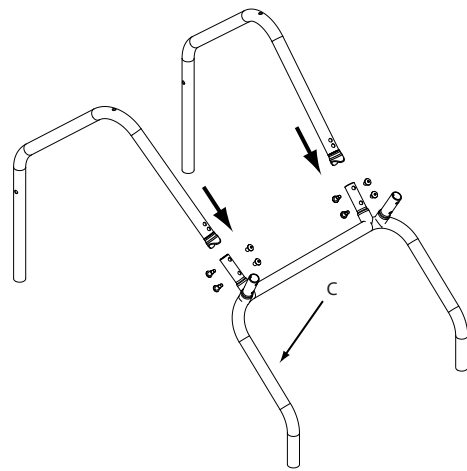
STEP 1: ATTACH FRONT LEGS TO BACK FRAME

Insert 2 Plastic Bushings (A) into Front Legs (B). Align holes.



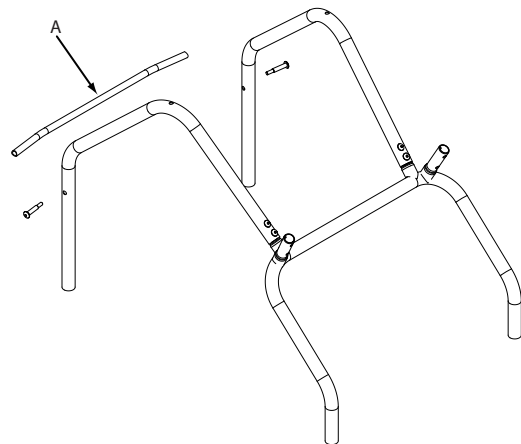
Slide Front Legs onto Back Frame (C). Fasten using 4 Small Assembly Screws and Fasteners.

Note: Be sure holes are perfectly aligned before inserting screws and fasteners.



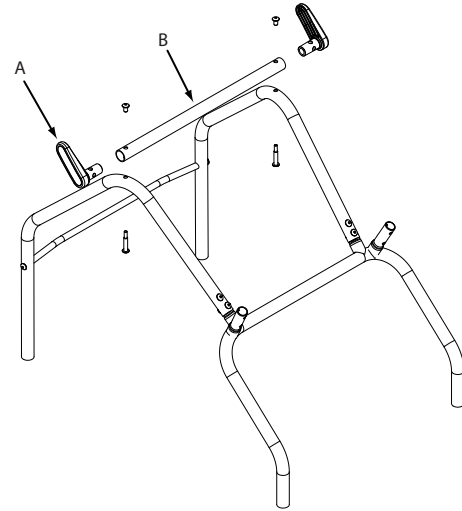
STEP 2: ATTACH FRONT CROSSBAR TO FRONT LEGS

Fasten Front Crossbar (A) to Front Legs with 2 Large Assembly Screws.



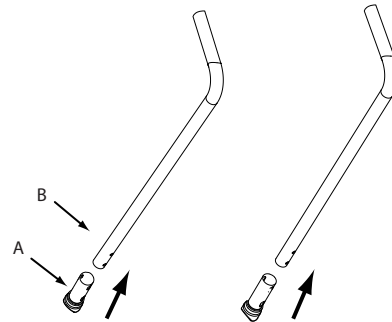
STEP 3: ATTACH CHAIR GUIDES

Insert Chair Guides (A) into the ends of Top Crossbar (B). Align holes, then fasten Top Crossbar to Front Legs using 2 Large Assembly Screws and Fasteners.



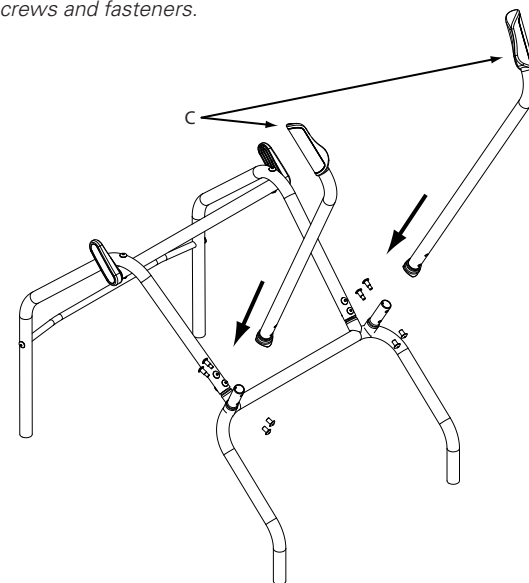
STEP 4: ATTACH HANDLES

Insert 2 Plastic Bushings (A) into Handles (B). Align holes.



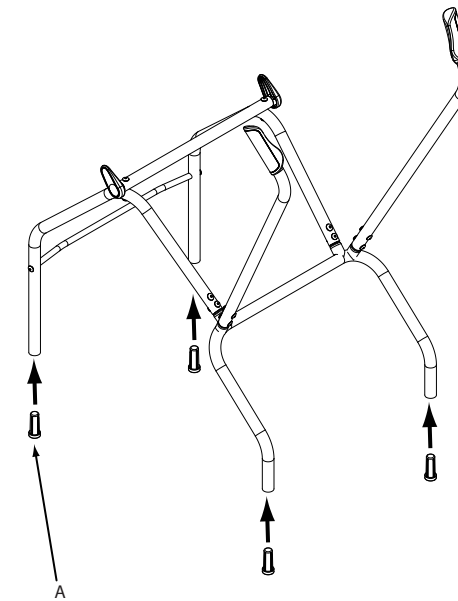
Slide Handles onto Back Frame and fasten with 4 Small Assembly Screws and Fasteners. Slip Grips (C) onto Handles.

Note: Be sure holes are perfectly aligned before inserting screws and fasteners.

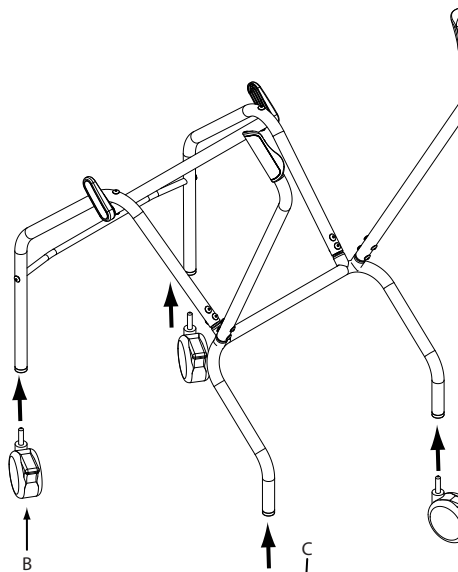


STEP 5: ATTACH CASTERS

Insert Caster Stems (A) into the ends of Cinto Dolly legs. This may take some force. Use a hammer or mallet if necessary.



Insert Casters (B) into Caster Stems. Be sure Casters with locking mechanisms (C) are in the back.



ASSEMBLY HARDWARE

